



1 1/16" BORE ACCESSORIES



MOUNTING NUTS

Stud Nut

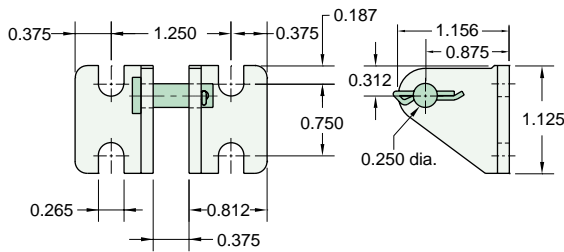
| Part Number | Across Flats | Nut Thickness | Nut (Thread) |
|---------------|--------------|---------------|--------------|
| N10-18 | 15/16" | 3/8" | 5/8-18 |

Rod Nut

| Part Number | Across Flats | Nut Thickness | Nut (Thread) |
|---------------|--------------|---------------|--------------|
| N05-24 | 1/2" | 3/16" | 5/16-24 |

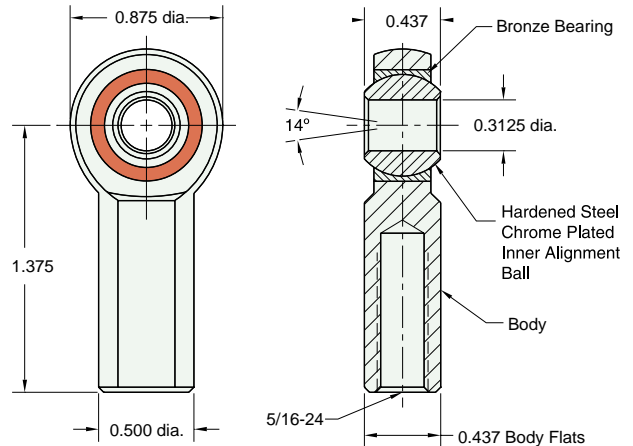
CB-1795

Clevis Bracket
Material: steel, bright zinc plated



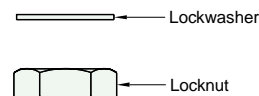
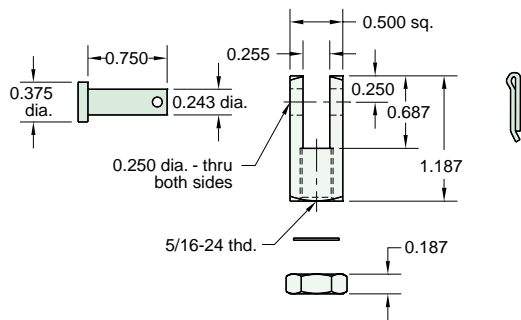
RE-1785

Rod End
Material: steel, bright zinc plated body



RC-1781

Rod Clevis
Material: steel, bright zinc plated



Max. Static Radial Load: 3200 lbs.
Fits Rod Thread Size: 5/16-24

FB-1791

Foot Bracket
Material: steel, bright zinc plated

